



VersaTables.com

American Made & Guaranteed for Life

Basic Classroom Table

Assembly Instructions

BCT Series 30", 36", 48", 60" & 72"



How can we improve our assembly instructions?
Your comments and suggestions are important to us.
Please e-mail us at: assembly@versaproducts.com.

Revised: 4-12-11



VersaTables.com
14105 Avalon Blvd.
Los Angeles, CA 90061

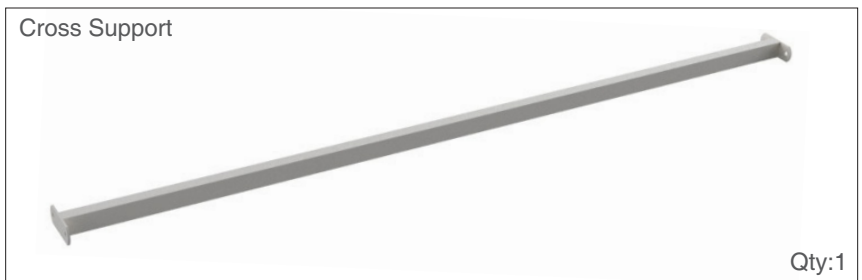
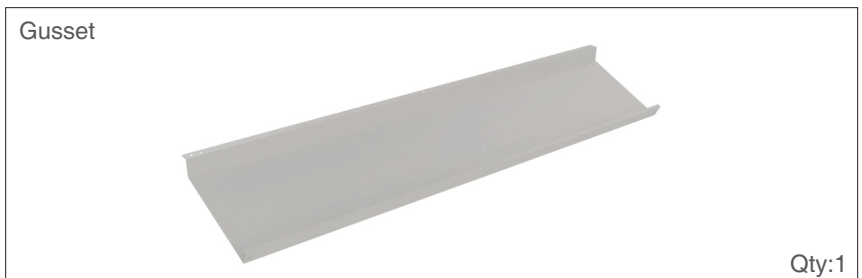


Proudly Made in the USA

Toll Free (800) 416-3961
Phone (310) 353-7100
Fax (310) 353-7109

Hardware & Parts List

Basic Classroom Table



Exploded View Basic Classroom Table



VersaTables.com
14105 Avalon Blvd.
Los Angeles, CA 90061



Proudly Made in the USA

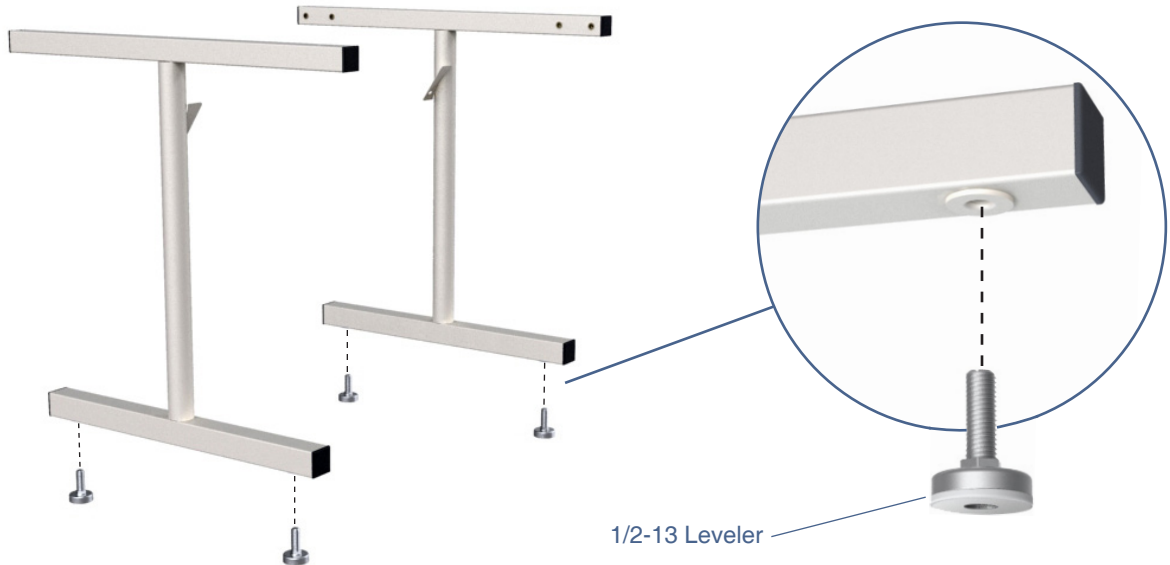
Toll Free (800) 416-3961
Phone (310) 353-7100
Fax (310) 353-7109

Step 1

Install Levelers



Screw all four Levelers into the Legs.



Step 2

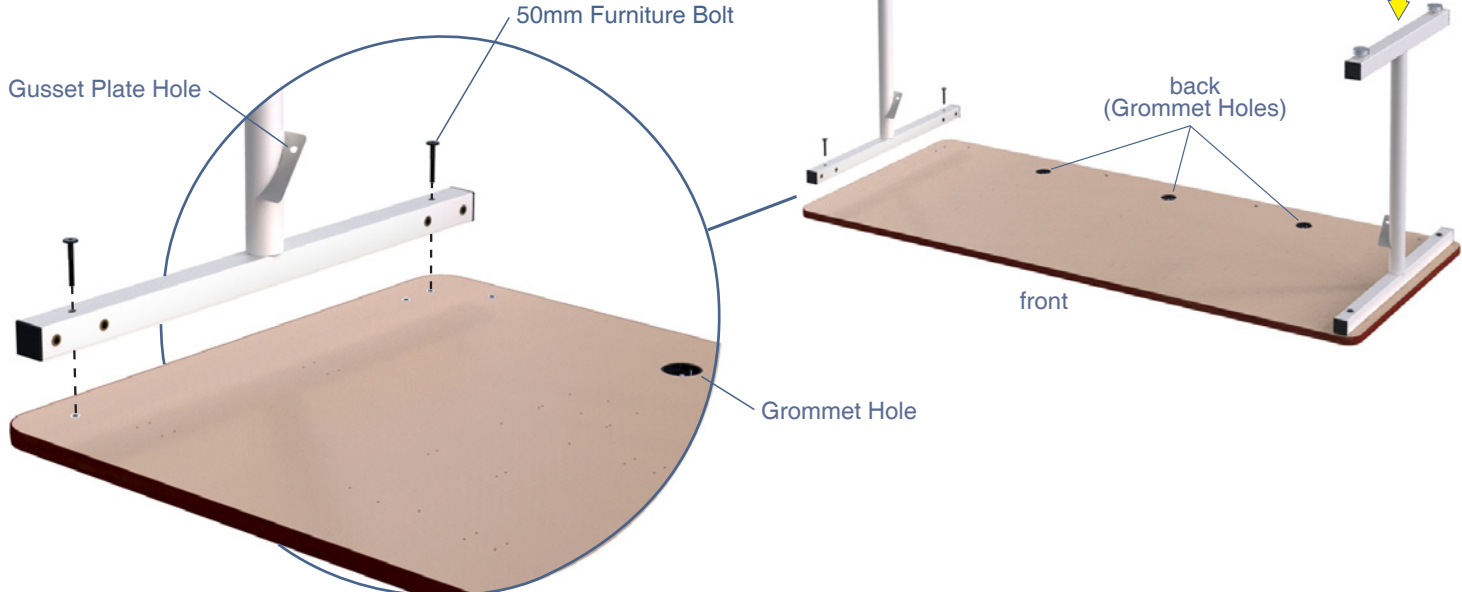
Rotate Surface, Attach Legs



Turn the Surface upside down (place on packaging to protect the surface finish). Attach the Legs using four 50mm Furniture Bolts.

NOTE: At this step, only hand tighten 50mm Furniture Bolts.

NOTE: Attach Legs so Gusset Plate Hole faces Grommet Hole.



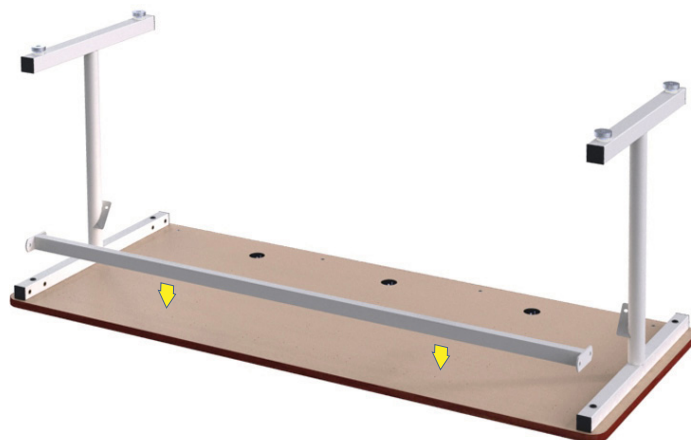
Step 3

Attach Cross Support

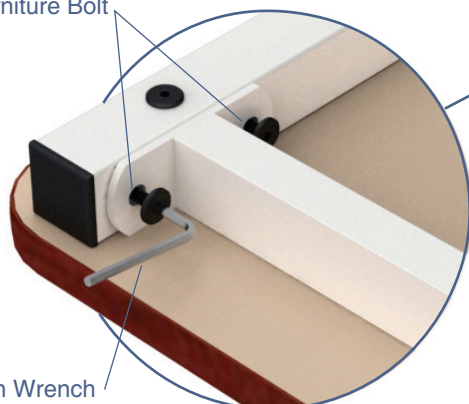


Attach the Cross Support to the Legs using four 20mm Furniture Bolts. Make sure it is attached in the front of the Surface (opposite side of Grommet Holes).

NOTE: Tighten 20mm Furniture Bolts with 4mm Allen Wrench.



20mm Furniture Bolt



4mm Allen Wrench

Step 4

Attach Gusset to Main Surface



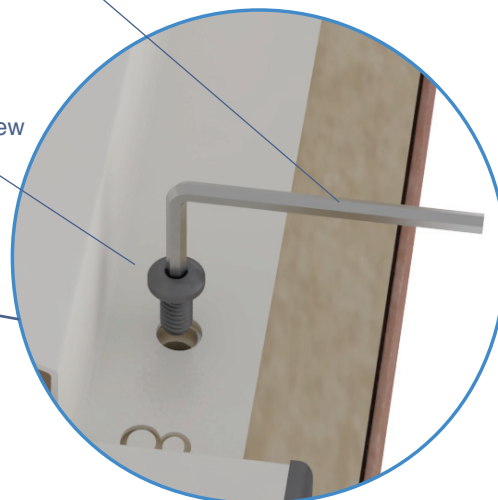
(30" & 36") Qty:3
(48", 60" & 72") Qty:4

Attach Gusset to back of Surface.

NOTE: Tighten 12mm Button Head Screw with 4mm Allen Wrench.

4mm Allen Wrench

12mm Button Head Screw



Make sure to use the Button Head Screws.

Step 5

Attach Gusset to Leg Tubes

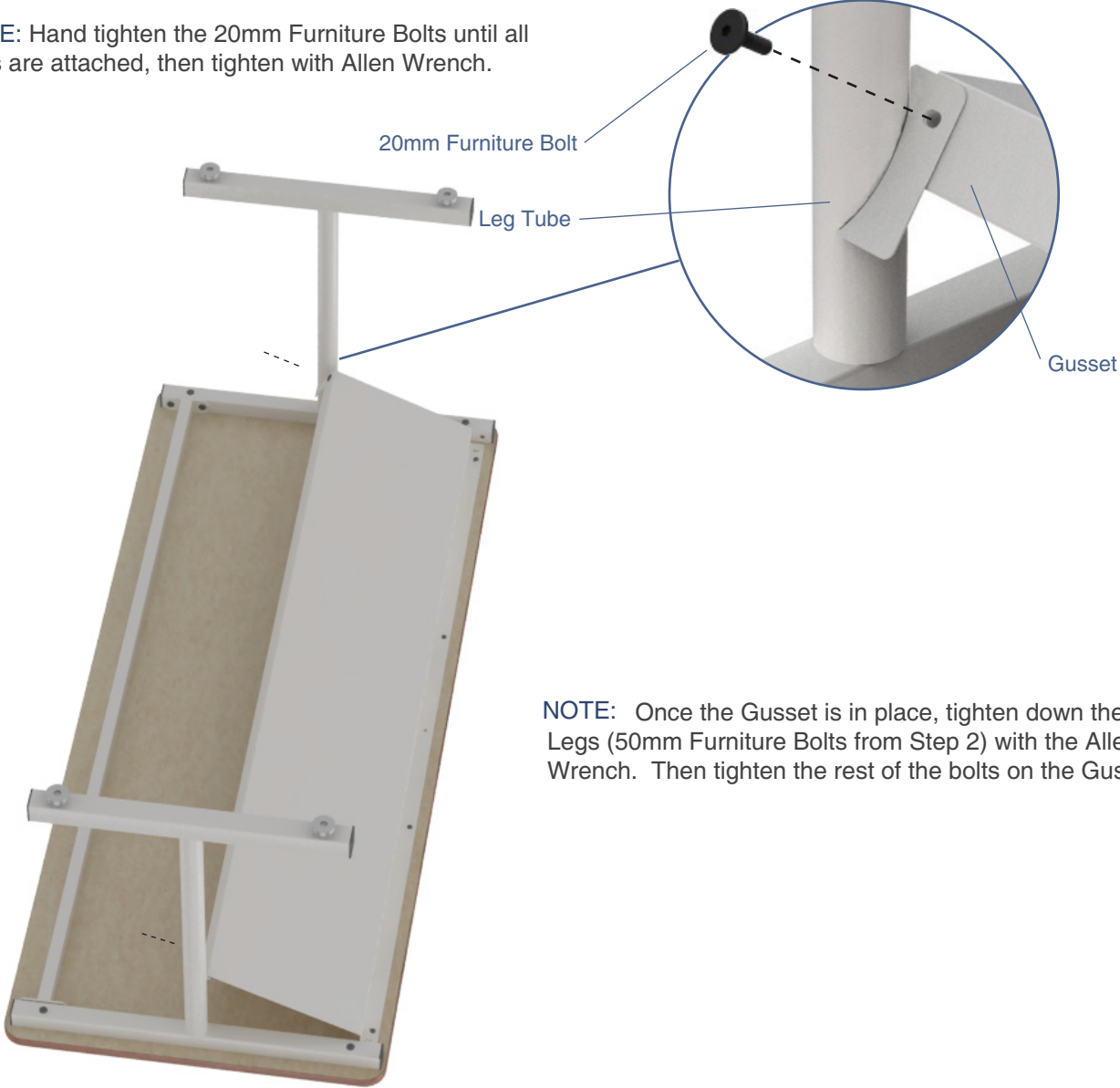
20mm Furniture Bolt



(30" & 36") Qty: 5
(48") Qty: 6
(60" & 72") Qty: 7

First, attach Gusset to both Leg Tubes using 20mm Furniture Bolts.

NOTE: Hand tighten the 20mm Furniture Bolts until all Bolts are attached, then tighten with Allen Wrench.



NOTE: Once the Gusset is in place, tighten down the Legs (50mm Furniture Bolts from Step 2) with the Allen Wrench. Then tighten the rest of the bolts on the Gusset.



VersaTables.com
14105 Avalon Blvd.
Los Angeles, CA 90061



Proudly Made in the USA

Toll Free (800) 416-3961
Phone (310) 353-7100
Fax (310) 353-7109